



**Proven Solutions.  
Expert Advice.**

## Richwood provides site-specific engineered solutions

With over 40 years of experience, Richwood solves problems and increases efficiency for a wide variety of bulk material handling clients around the world. In response to client needs, our capacity has expanded to include designing and manufacturing complete transfer chutes that provide maximum through-put for optimum productivity.

Better chute design allows you to move material as efficiently as possible from the loading point to the discharge point in a way that saves time, energy and money.

Increased efficiency means, minimal wear on components (including the conveyor belt), less belt downtime, and maximum product reaching its final location. Rely on Richwood engineered transfer chutes to provide peak performance.



- Belt Cleaning Systems
- Impact Protection Systems
- Material Containment Systems
- Pulley Lagging
- Wear Liners
- Belt Tracking Systems

**PHONE / TOLL-FREE**  
(304) 525-5436  
(800) 237-6951

**FAX**  
(304) 525-8018

**LOCATION**  
707 7th Street West  
Huntington, WV 25704

**MAILING ADDRESS**  
Richwood  
P.O. Box 1298  
Huntington, WV 25714-1298

[www.richwood.com](http://www.richwood.com)



# Complete Transfer Chute Solutions

*engineered for productivity*

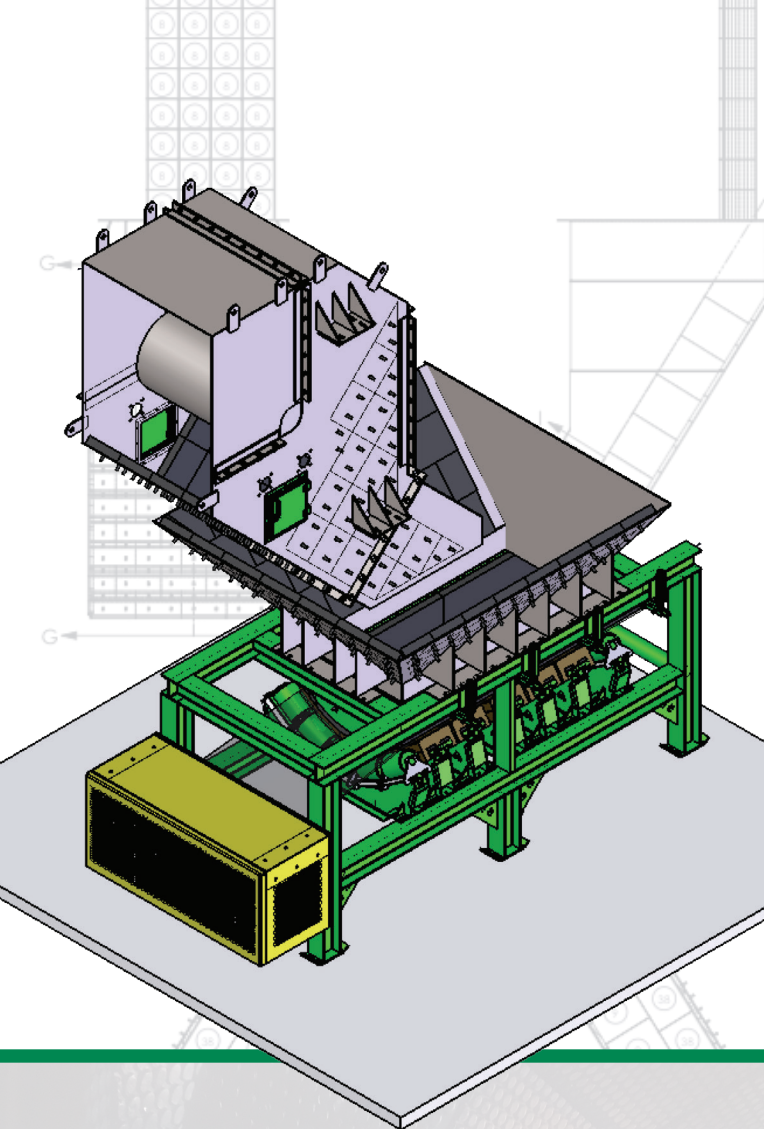
## THE RICHWOOD GUARANTEE

Richwood offers a 100% money back guarantee. Our commitment is to provide the highest quality solutions, with our goal being your satisfaction with Richwood products and service.

We would like to build a partnership with you based on mutual respect and trust. If you are not satisfied with the performance of a Richwood product in your service, you may return it for a 100% refund.

All of our products are proudly made in USA.





RICHWOOD TRANSFER CHUTE PROCESS

# Richwood Transfer Chutes

## Transfer Chute Design

Richwood new and retrofit transfer chutes are built for optimum performance in the real world.

Common issues in traditional chute design are evident: material blockages, incorrect loading unto the conveyor, material degradation, excessive chute wear, lack of good maintenance access, inadequate space for belt cleaners in the chute, wear on components, and improper sealing at the load zone.

Richwood provides custom engineered chutes, designed for the best fit to mitigate the flaws of the traditional chute designs. This made-to-order personalization improves safety for employees, provides material and dust containment at load zones for cleaner work areas, and reduced wear and easy maintenance access.

## Comprehensive Transfer Area Solutions

The starting point for any good design, will always be safety and efficiency. With that in mind, Richwood also understand the need for maximum throughput, properly contained, and directed material flow. This ensures a dependable load zone that is fully troughed, allowing room for belt cleaning to keep material in its place and effective dust control – all essential elements of a well-designed chute made to last.

## Designed for Safety and Efficiency

A Richwood-designed chute includes an emphasis on safety first. This influences the design with features that include:

- Integrated maintenance access
- Custom, modular liner packages that focus on high wear areas and are easy to maintain
- Ability to accommodate changes in product flow, from partial to full capacity
- Sufficient space to maintain belt cleaning equipment

## Retrofit Solutions

For retrofit chutes, Richwood uses Discrete Element Flow programs, 3D laser scanning and project modeling. This assures best wear liner recommendations and a precise fit.

## Application-Specific Wear Linings

For new or retrofit chutes, the characteristics of the application determine the best type of wear liner. Consideration must be given to the properties of the material, capacity and speed data, material trajectory, specifications for the collection of the material, and how it will be discharged.

Richwood has been a leader in quality wear liners for over two decades. Proprietary blends, a completely in-house manufacturing process, and quality checks throughout ensure the most reliable compounds and designs. Experience and know-how assure the best application of the multiple types and styles for your location.

Richwood has a wide variety of proprietary wear liner formulas for maximum impact and abrasion resistance.

- Custom modular wear panels are engineered for each application
- Individual sections for safe and simple replacement of high wear areas
- Specialty rubber formulations provide the longest service life
- Options of liner attachment from bolt-on to weld-on or magnetic
- Limited number of liner sizes and types in each design for simple inventory control
- Always made in the USA

### Engineered for best fit

- DEM flow analysis software
- 3D laser scanning
- Project modeling



### Engineered wear linings

- Wear liner recommendations based on material flow and wear properties in each application
- Richwood provides specific wear liner formulas for maximum impact and abrasion resistance
- Modular wear panels are custom-engineered for the application
- Modular panels make replacement in highest wear areas safe and simple



## The Complete Package

From dependable wear liners, to complete chute replacement and redesign, to new chute work, Richwood has the capability to provide complete package solutions for customized transfer chutes.

- Laser scan and 3D modeling
- Complete chute manufacturing
- Application specific wear liners

**Rely on Richwood!**